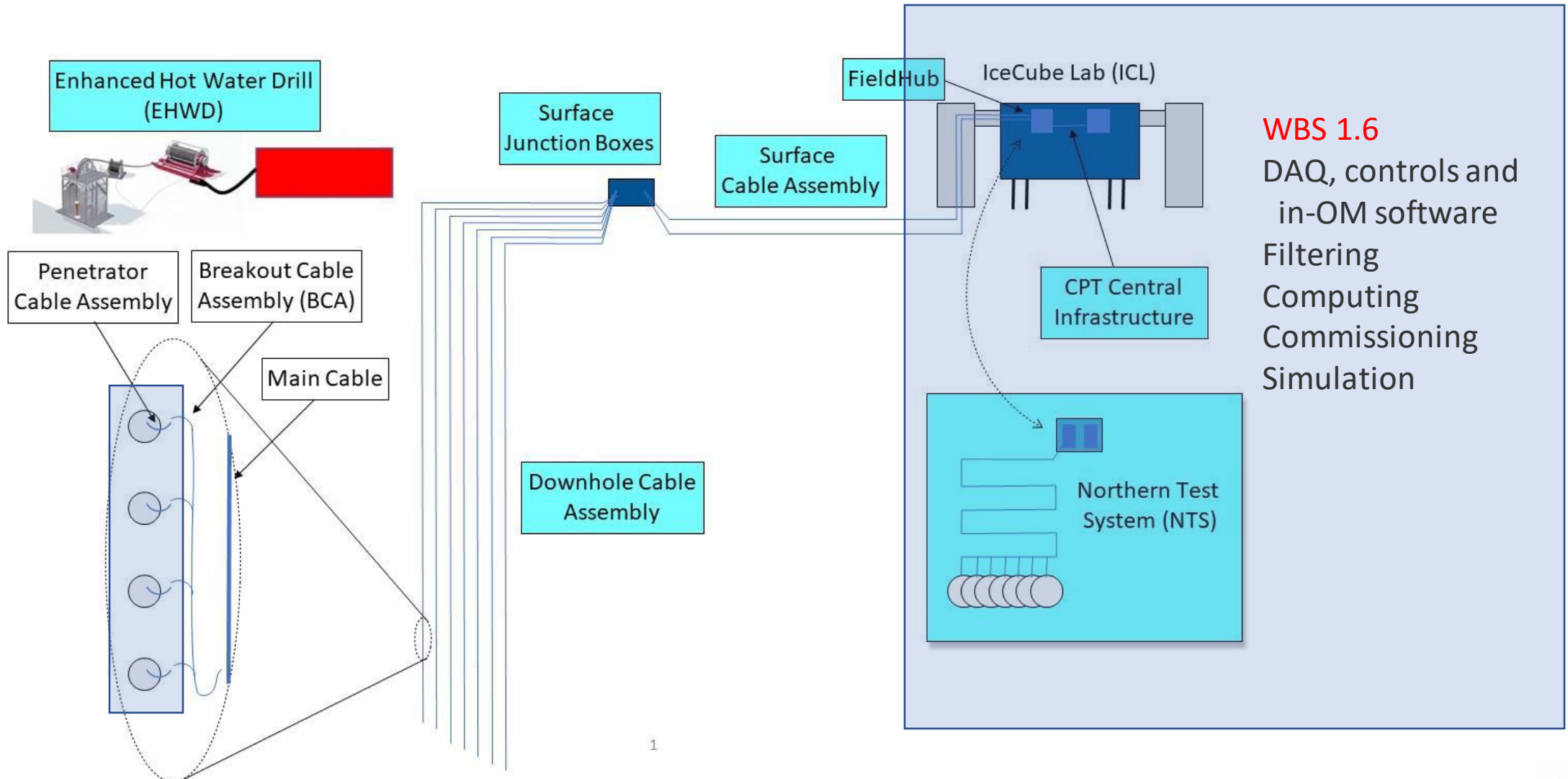


IceCube Upgrade NSF Rebaseline Review  
April 26-28, 2022

Erik Blaufuss  
1.6 – Data Systems and Icecube Integration  
Breakout session



# 1.6 critical areas

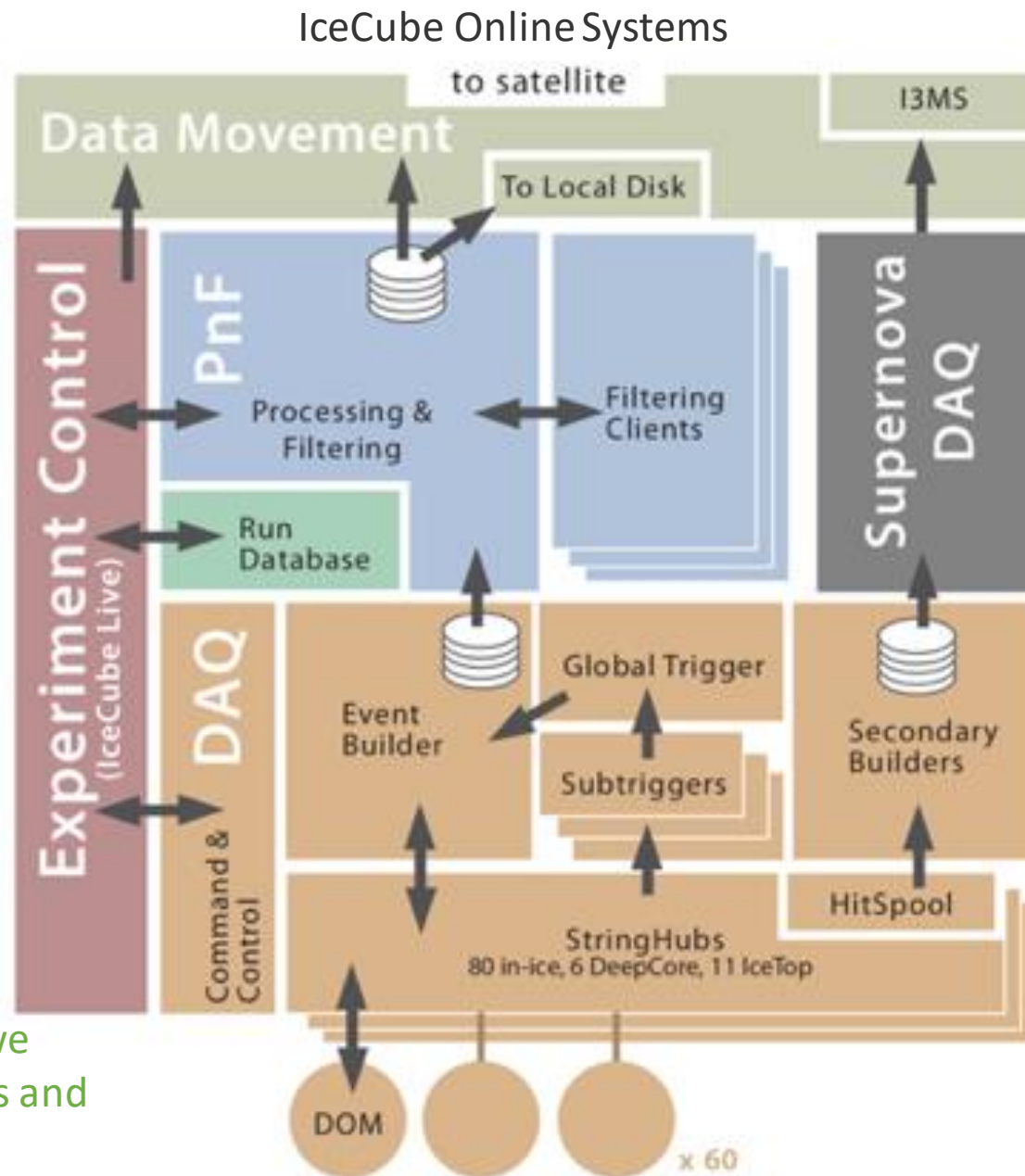


1

# WBS 1.6 Scope

- Targeted additions to key online systems to support new OMs
  - On-board OM Software and field hub software
  - DAQ, experiment control, online filtering
  - Computing systems
- Add support for Upgrade devices to offline software systems
  - IceTray framework and classes
  - Simulation
  - Reconstruction tools
- Provide device commissioning for newly deployed devices before operating

Regardless of who pays for the work, we track the activity in schedule with tasks and milestones



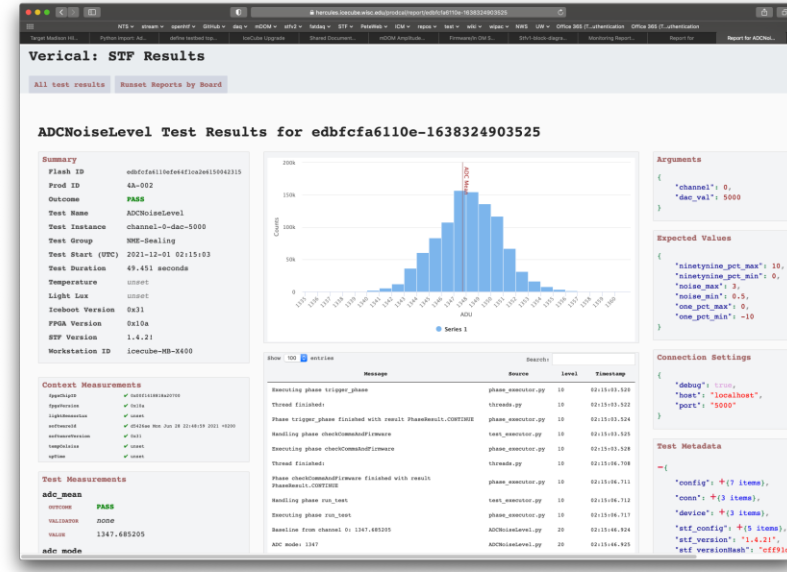
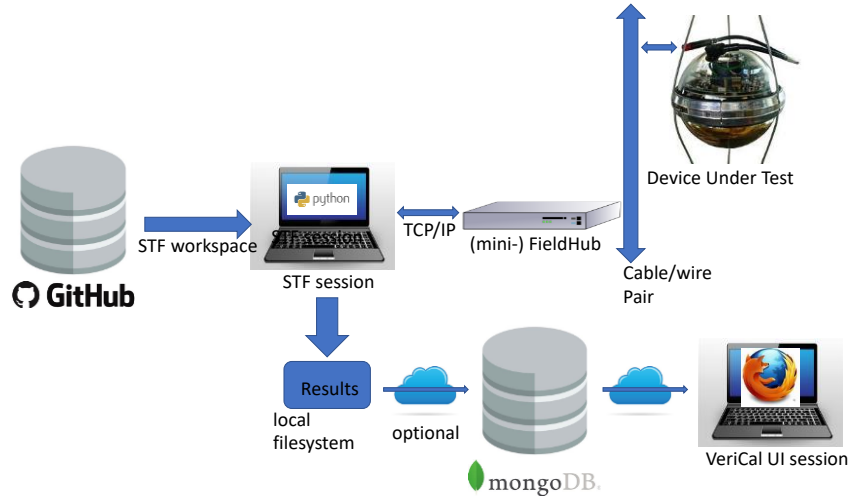
# Technical status -

## 1.6.1 Online Software & in OM software (On project and in-kind M&O)

- Work completed
  - DVT/FAT testing – full software suite available that enables end to end testing of:
    - Stand alone mainboards, integrated OMs, groups of OMs with linked GPS timing
    - FAT/DVT test results fed directly to testing DB and visualization site
      - STF and FAT
- Work remaining
  - Full implementation of self-triggering "DAQ mode" for in-OM software
  - Existing IceCube DAQ, Experiment control, online filtering extended to support both Gen1 IceCube DOM data AND Upgrade OM data
    - Work being done by M&O system experts ahead of deployment
    - Plan reviews of system extension plans for OMs (2023) and Special devices (2024)
    - Will use NTS (fully integrated with our current Gen1 test area SPTS) for development and testing
  - Support and integration of special and calibration devices
  - SPAT testing suite and detailed plan



# Technical status -



## FATCaT

Devices

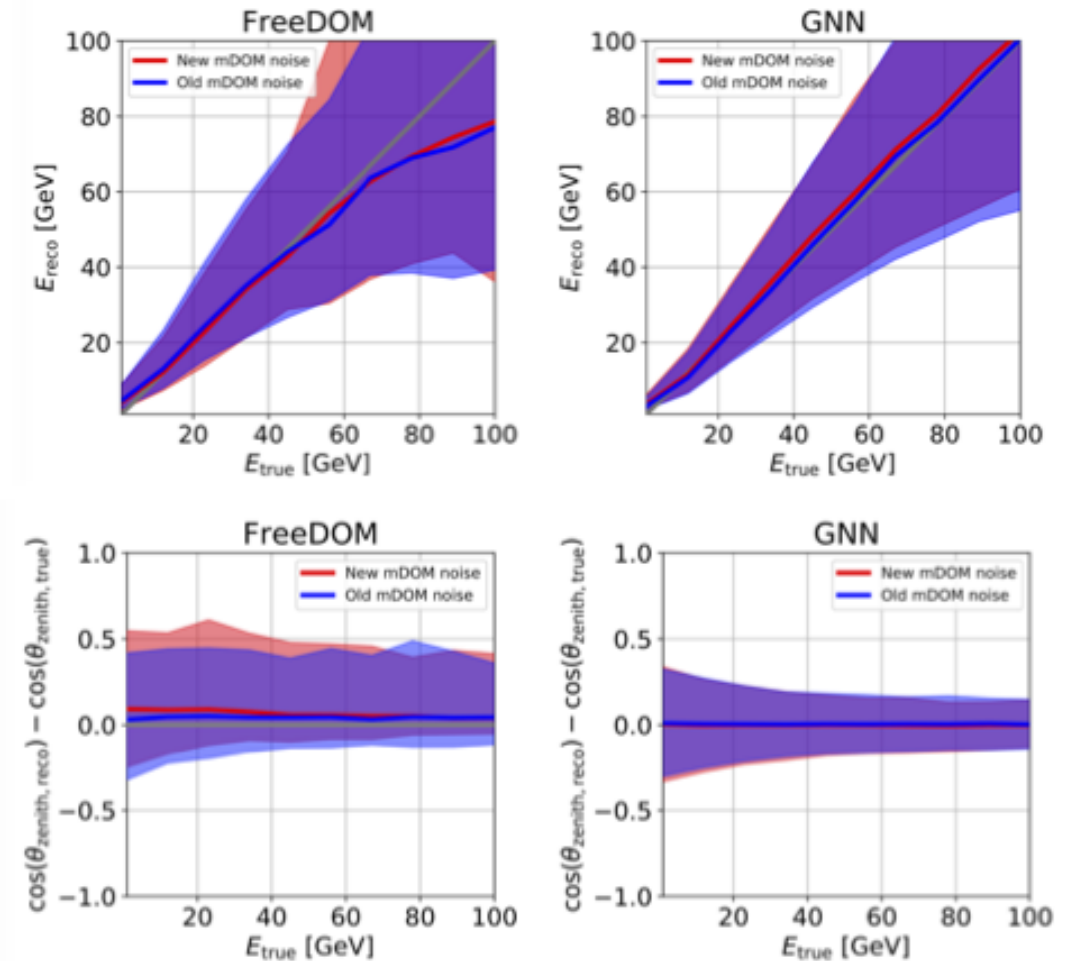
### Device Details for mdom\_DVT\_03\_v1

Device UID	mdom_DVT_03_v1
Production Site	desy
Production Date	2021-03-17
Device Type	mdom

Subdevices	MICROBASE microbase_00...20323742	MICROBASE microbase_00...20323742	MICROBASE microbase_00...20323742	MICROBASE microbase_00...20323742	MICROBASE microbase_00...20323742	MICROBASE microbase_00...20323742	MICROBASE microbase_00...20323742
MICROBASE microbase_00...20323742	MICROBASE microbase_00...20323742	MICROBASE microbase_00...20323742	MICROBASE microbase_00...20323742	MICROBASE microbase_00...20323742	MICROBASE microbase_00...20323742	MICROBASE microbase_00...20323742	MICROBASE microbase_00...20323742
MICROBASE microbase_00...20363146	MICROBASE microbase_00...20363146	MICROBASE microbase_00...20363146	ILLUM-BOARD ILL_M051	ILLUM-BOARD ILL_M063	ILLUM-BOARD ILL_M176	CAMERA CAM_004435982144aa33	CAMERA CAM_0044359821486202
CAM-ILLUM-UNIT CAM-ILL_0044...a13_M176	ILLUM-BOARD ILL_M419	PMT pmt_DM00453	PMT pmt_DM00460	PMT pmt_DM00531	PMT pmt_DM00530	PMT pmt_DM00527	PMT pmt_DM00537
PMT pmt_DM00051	PMT pmt_DM00003	PMT pmt_DM00061	PMT pmt_DM00084	PMT pmt_DM00064	PMT pmt_DM00072	PMT pmt_DM00093	PMT pmt_DM00138
PMT pmt_DM00509	PMT pmt_DM00500	PMT pmt_DM00498	PMT pmt_DM00526	MDOM-PMT-UNIT DM00453_0037...20323742	MDOM-PMT-UNIT DM00460_0050...20323742	MDOM-PMT-UNIT DM00531_0030...20323742	MDOM-PMT-UNIT DM00530_0040...20323742

# Technical status -

- 1.6.2 Offline software (In kind M&O and IceCube collaboration)
  - Ensuring data analysis framework and reconstruction tools are ready for Upgrade data processing and analysis
    - Base support in IceTray framework (as designed simulation use)
    - Support for more advanced reconstructions of Upgrade data expected from collaboration to need support.
- 1.6.3 Simulation software (IceCube collaboration)
  - Delivered “as designed” simulation samples for DEgg/mDOM simulations
    - Lacks some of the details needed for final simulation but allows for other software development efforts to make progress.
  - Final “as built” simulation planned post-deployment that will be used for analysis work.



Upgrade simulation of mDOM impacts

# Technical status -

- 1.6.4 Computing Infrastructure (**On project (HW) and in kind M&O**)
  - Provide and support COTS computing infrastructure needed for online and test system HW
  - Project provides computing to support additional DAQ processes in Upgrade
  - Delivered: computing infrastructure and support for NTS, Pole SPS expansion planned
- 1.6.5 String Commissioning (**In kind M&O**)
  - Intended as final checkout and operational readiness test of newly deployed instrumentation
    - Monitor hardware during freeze-in
    - Find initial operating values for HW settings based on calibration and testing
    - Will largely use DVT/FAT/SPAT tools
    - Will deliver to M&O for standard operations post commissioning

# Milestones

- Completed milestones
  - Test DAQ ready Plan: 12/30/2019 Delivered: 11/1/2020
  - Review in OM Software development plans Plan: 10/31/2021. Delivered: 12/17/2021
  - Offline software and as-designed sim release. Plan: 11/1/2021. Delivered: 2/25/2022
- Major Upcoming:
  - May 2023: Review Online systems support plans for operating Upgrade Oms
  - May 2024: Review Online systems support plans for operating Calibration and special devices
  - Jan 2026: Online software systems ready for use at Pole
  - Mar 2026 – IceCube simulation and reconstruction tools available for analysis of IceCube data including Upgrade devices.



# 1.6 Critical Path

- WBS 1.6 has few critical deliveries needed to enable module deployment
  - SPAT testing at Pole of ALL modules post-transport.
    - Ensures modules in good condition, ready to deploy with correct software preloaded
    - Field Season 2: First 2 strings of devices tested – Dec 2024 – Feb 2025
    - Field Season 3: Test remaining hardware pre deployment – Nov 2025 – Jan 2026
- Post deployment: 1.6 IS the critical path to new modules being prepared for data taking:
  - Commissioning of new devices: Dec 2025 – March 2026
    - Will begin immediately after strings are deployed and connected
  - Deliver online software systems ready to integrate new modules into IceCube operations
    - Delivery Dec 2025 for OM devices, Feb 2026 for special devices.
    - Expect routine operations to begin AFTER commissioning efforts complete

# Transitions to IceCube M&O

- Final milestone: **Mar 2026** – Deliver commissioned strings to IceCube M&O for inclusion in standard ops
  - The IceCube Upgrade delivers
    - Deployed strings, including OMs, special devices and calibration devices
    - Surface communication hardware (+spares)
    - Full in-OM software suite for debugging and operating hardware
    - Online software systems to operate new hardware as a fully integrated portion of overall IceCube detector.
      - DAQ, Experiment Control, data filtering, core data processing software
    - Detailed “as-built” documentation of hardware systems
    - Full characterization of all hardware from commissioning activities
- Then Upgrade strings to be included in standard IceCube operations
  - Modest impact on “online” raw data bandwidth – Multi-sensor modules produce more data
  - Limited impact on data transfer requirements
    - Effective data volume compression and veto-filtering methods used in IceCube will continue to function effectively for IceCube + Upgrade.

# Conclusion

- Experts from across M&O team and wider IceCube Collaboration are ready to bring the IceCube Upgrade online as part of IceCube.
- WBS 1.6 activities well underway
  - Delivered testing software for optical module design verification and production testing
  - Solid plan in place to make Upgrade strings a full member of the IceCube detector once deployed.
    - Operations and analysis.

# Backup Material

# 1.6 Risks

- Primary risks still being tracked in 1.6 now are related to scaling table-top/lab readout of handfuls of modules to full-string readouts via the full Field-Hub systems. These remain important with higher mDOM PMT noise rates.
  - [Tech47](#), [Tech 48](#), [Tech49](#), [Tech50](#), [Tech51](#)
  - In-OM processing needs sufficient processing power to format, transmit and perform in-device noise mitigations
  - IceCube surface DAQ must be able to handle additional rate of DEgg and mDOM hits into trigger system
  - FieldHub data throughput and processing capacity must be able to handle total data rate from all devices on an Upgrade string.
- Active mitigations being pursued for these in the next 6-9 months
  - Retire: Data rate scaling tests using prototype systems and/or simulated data volumes to ensure full string readouts are working
  - Mitigations: Software mitigations available to further reduce noise-like events to reduce data volumes with small impact on physics.

# 1.6 Interfaces

WBS 1.6 is an area where data interfaces from several Upgrade areas comes together

- WBS 1.3 Sensors – *DVT and FAT testing of mDOM and DEgg devices well underway*
  - Provide on-board OM software to support testing and operation of in-ice devices
  - OM Software/Hardware level interfaces
    - Calibration/configuration items needed in operation
  - IceCube Communications Module - On-OM software and DAQ interfaces
  - OM hardware details and performance for detailed system simulation
- WBS 1.4 CPT – *Software controlling mDOM/DEgg in use for mini-FieldHub*
  - DAQ interface to Field Hub, timing infrastructure and cable systems
  - Shared responsibility to build-out test systems
- WBS 1.5 Calibration devices – *Control and readout of common Mini-Mainboard in place*
  - Provide on-board OM software to support testing and operation of calibration devices
  - DAQ/Experiment control of all calibration devices
    - Calibration/configuration items needed in operation
  - Calibration hardware details and performance for detailed system simulation

# 1.6 Major Milestones

- WBS 1.6 milestones are focused on targeted software/firmware readiness reviews and deliverables ahead of programmatic needs
- Major milestones in the project schedule for 1.6 include:
  - May 2023 – Review online system (DAQ, Experiment Control, Filters) plans to support operations of new OM modules in IceCube standard operations
  - May 2024 - Review online system (DAQ, Experiment Control, Filters) plans to support operations of new Calibration/Special devices in IceCube operations.
    - All deployed special devices will be controlled by IceCube DAQ/Exp. Control.
  - June 2024 – Review South Pole Acceptance Testing (SPAT) plans
    - Dec 2024 & Nov 2025 – SPAT testing at Pole for modules pre-deployment
  - Jan 2026 – Online software systems ready for deployment to pole supporting new Oms
    - Feb 2026 – Online software systems ready for special device operations.
  - Dec 2025 – Computing system at SPS expanded to support Upgrade strings
  - Mar 2026 – Deliver commissioned strings to IceCube M&O for inclusion in standard ops
    - Major component of Upgrade "Project Deliverables" document
  - Mar 2026 – IceCube simulation and reconstruction tools available for analysis of IceCube data including Upgrade devices.

# Current Technical Status and Work to Go

- Full testing control and readout system available and in wide use for module testing and development
  - High-level scripted control of modules
  - Mini-FieldHub control of multiple OM devices per wire-pair via ICM-enabled string communication
  - GPS-corrected time stamping of data
  - On-board OM software and firmware with the ability to readout waveforms, perform self-tests, self-calibrated devices.
- Work to go primarily focuses on integration into existing IceCube data systems:
  - OM-software data acquisition app under control of IceCube DAQ
  - Experiment control of all Upgrade OMs and Special devices
  - Integration into full IceCube data stream for analyses
    - Simulation and reconstruction
- String commissioning after deployment and refreezing



*PCTS setup at UW  
mDOM and DEgg MBs*

*NTS setup – integrated  
w/ SPTS test system*





# 1.6: Cost and Main Cost Drivers

- WBS 1.6 effort largely an in-kind effort
  - IceCube M&O team experts in DAQ, Experiment control, online and offline software contributing effort to complete Upgrade integration.
  - Broader IceCube science collaboration provides support for Upgrade simulation and reconstruction software efforts.
- Upgrade project funded efforts focused in a few key areas
  - Project management (\$450K total, \$250K to go)
    - Fractional L2/L3 manager support
    - Travel for reviews and development workshops
  - In-OM software and testing software development building toward self-sufficient data collection units controlled by higher level IceCube DAQ. (\$1,150K total, \$800k to go)
  - Modest computing hardware to support expanded DAQ systems at test systems and at SPS computing setup. (\$50K total, \$15k to go)
  - Deployments for SPAT and commissioning on-ice efforts. (\$180K total/to go)

# 1.6: Cost and Main Cost Drivers

- WBS 1.6 effort largely an in-kind effort
  - IceCube M&O team experts in DAQ, Experiment control, online and offline software contributing effort to complete Upgrade integration.
  - Broader IceCube science collaboration provides support for Upgrade simulation and reconstruction software efforts.
- Upgrade project funded efforts focused in a few key areas
  - Project management (\$260K)
    - Fractional L2/L3 manager support
    - Travel for reviews and development workshops
  - In-OM software and testing software development building toward self-sufficient data collection units controlled by higher level IceCube DAQ. (\$675K)
  - Modest computing hardware to support expanded DAQ systems at test systems and at SPS computing setup. (\$15K)
  - Deployments for SPAT and commissioning on-ice efforts. (\$150K)